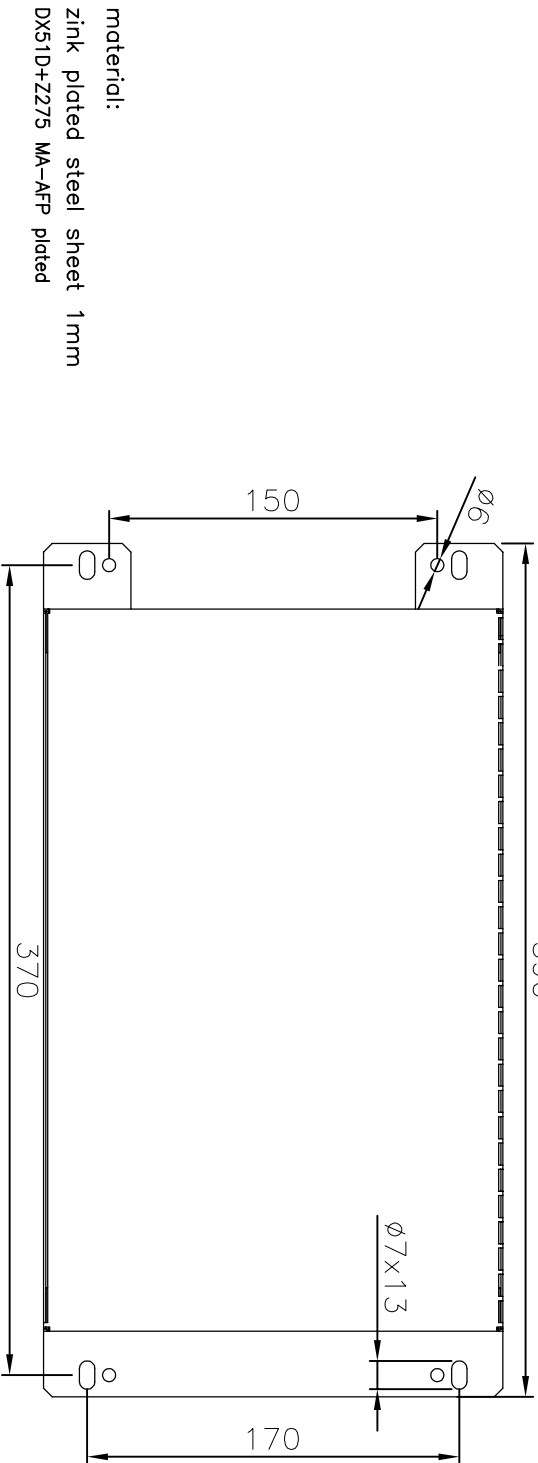
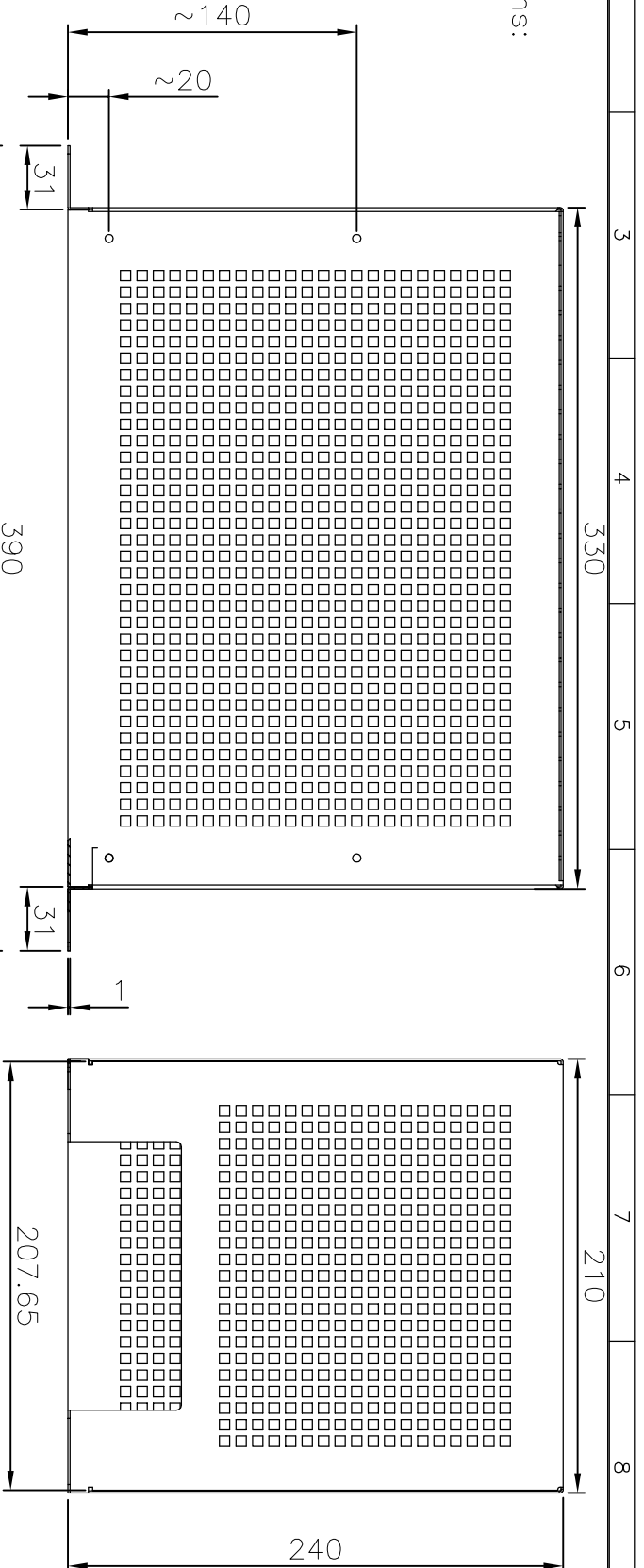


additional informations:  
weight : 2,2kg



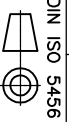
material:  
zink plated steel sheet 1mm  
DX51D+Z275 MA-AFP plated

Dimensions toleranced according to ISO 2768-m						
Tolerance class	0,5 to 3	from 3 to 6	from 6 to 30	from 30 to 120	from 120 to 400	from 400 to 1000
m (middle)	±0,1	±0,1	±0,2	±0,3	±0,5	±0,8

drawn	13.09.11	Biedermann	scale	1:3.5
checked		Bremer	formate	A4
date		signature		
name				



Block Transformatoren-Elektronik GmbH  
27283 Varden



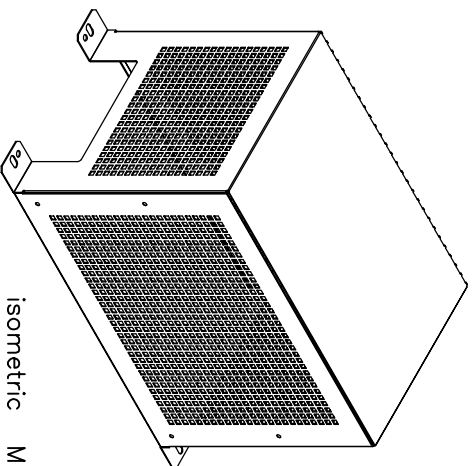
DIN ISO 5456

Block number:  
#020-2111

order number:  
IP20-Box 39

mod. 0  
sheet 1/1

Please observe protection clause to ISO 16016



isometric M1:7